

COIL TYER

FELINS HAS THE SOLUTION to your circular bundling problems. With our new specially designed 2000 Series Coil Tyer, Felins can help you tie up almost any size coil quickly and easily. Even products like garden hoses, V-Belts, surgical tubing, and coils of rope are a snap for the Felins Coil Tyer 2000.



SPECIAL FEATURES.

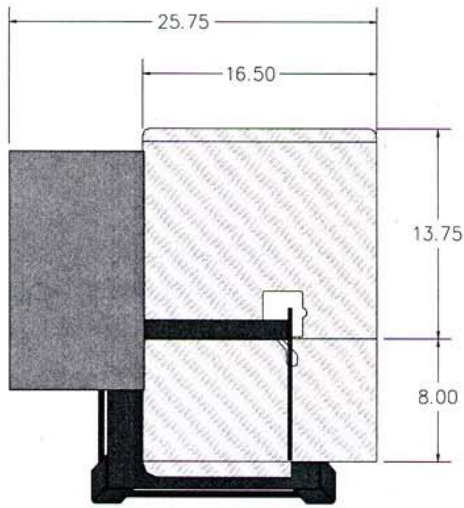
With our unique table design and flow through system, Felins can bundle coils of any product having a minimum inside circle diameter of three inches and a maximum of twenty-four inches. There is no limitation on the outside dimensions of any coil because all you need to do is place the coil in position and activate.

CLEAN AND SIMPLE. The banding material is automatically dispensed around the wall of the coil and tied off with a knot. This secures the bundle from shifting or unwinding. A second band is then placed around the opposite wall of the coil to give you a firmly bundled coil. The entire process is completed in seconds without using messy tapes or expensive twist ties.

COST SAVINGS. The labor savings speeds that you will enjoy with new coil tying unit will enable you to bundle up to twenty coils per minute with various inexpensive tying materials. And, with our heavy duty construction and electronic drive system, you will enjoy these savings for years to come.

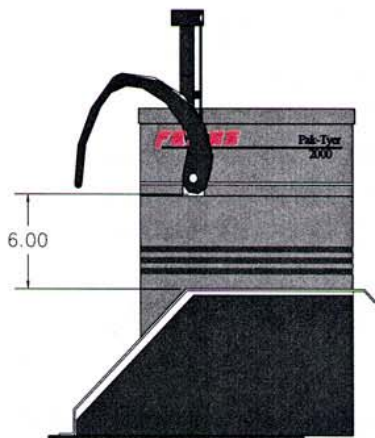
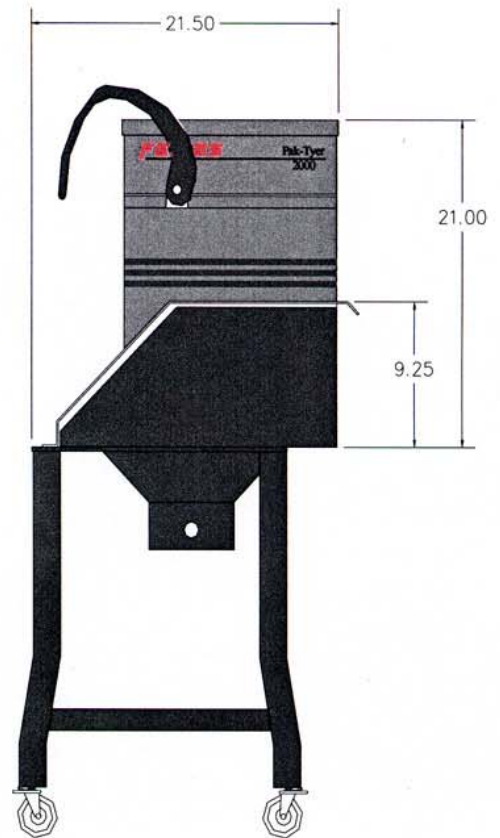
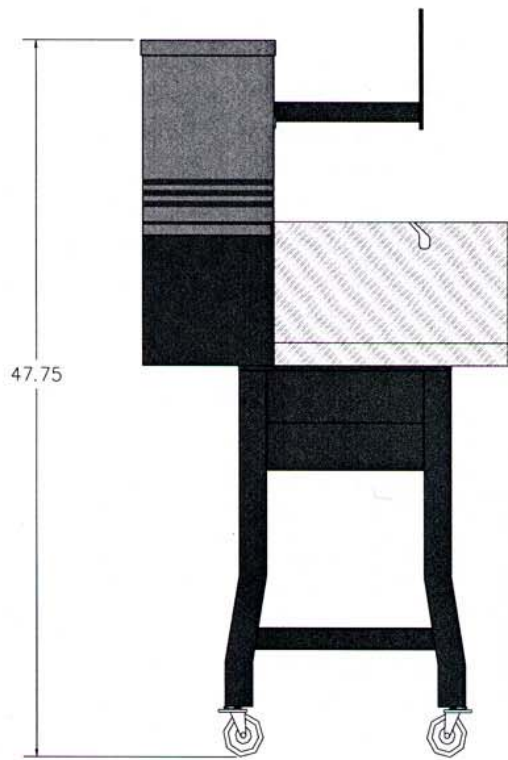
For more information and pricing, contact Felins USA Incorporated at

1-800-336-3220

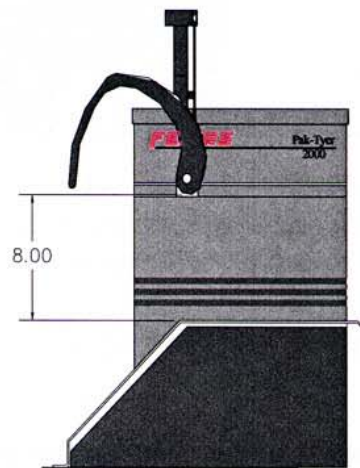


FELINS

COIL TYERS



2000-6 COIL TYER



2000-8 COIL TYER