

# FELINS

# ATS

## Banding-Systems

US-2000 MDM-P

ULTRASONIC  
TECHNOLOGY



- Real time printing with preprinted or blank banding material
  - \* Date/Time Stamps
  - \* Barcodes/UPC
  - \* Pricing Information
- Continuous printing up to 150mm length
- Printing and Banding processes are completed in parallel
- Utilizes the proven US-2000 Ultra Sonic Technology
- Controlled by the state of the art V5 controller

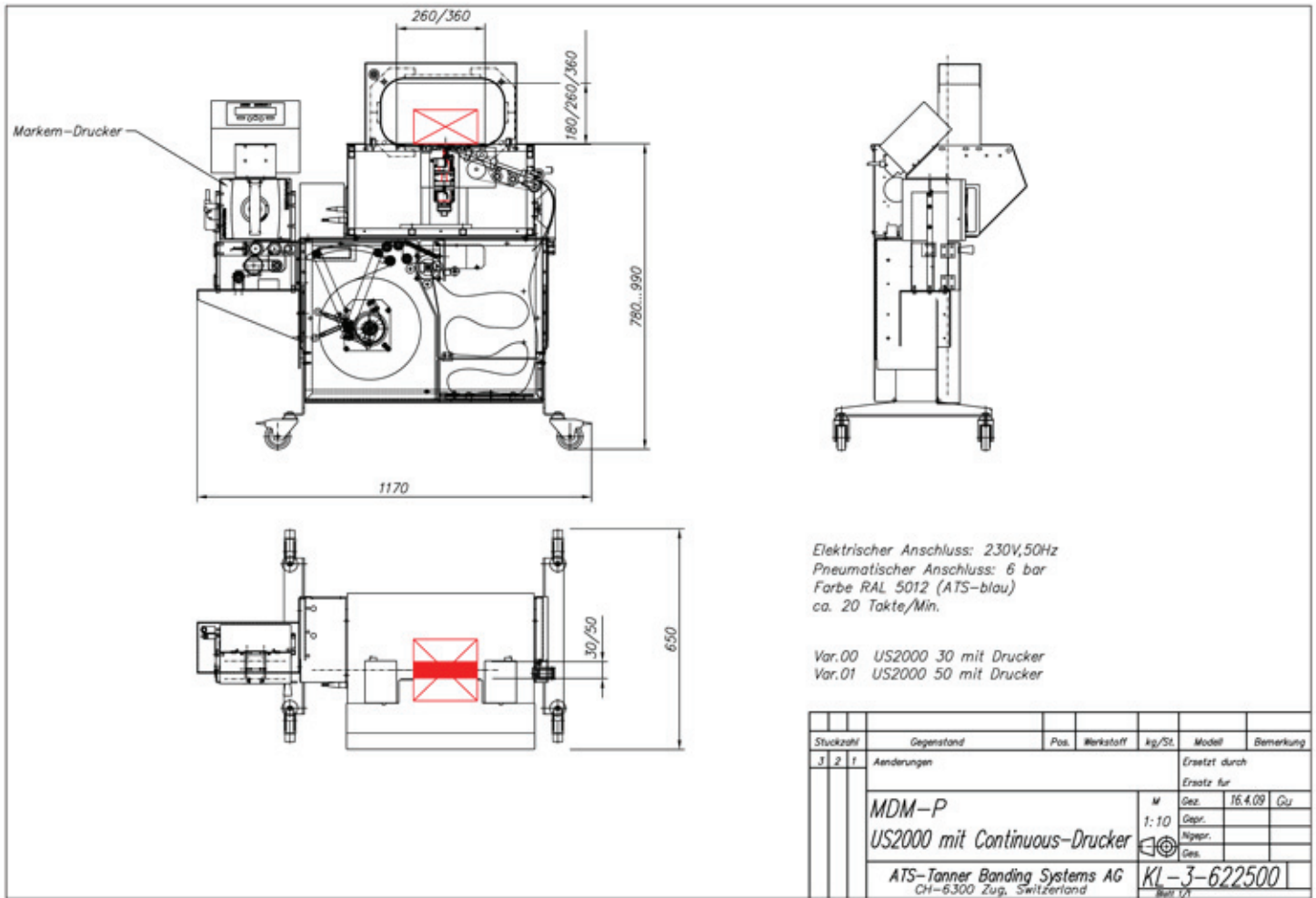
Combine the benefits of multi-color pre-printed graphics with the timeliness of on-line printing. With the US-2000 MDM-P, you have the ability to use company logos, and other pre-printed detailed graphics in combination with the in-line printing. Use the built in Markem printer to locate lot/date codes, price, or other dynamic/time sensitive product related information on the pre-printed band.



**1-800-843-5667**

8306 W. Parkland Court • Milwaukee, Wisconsin, 53223 • Tel. 414-355-7747 • Fax 414-355-7559

www.felins.com • sales@felins.com



Easy to use Markem software lets you design an infinite number of print patterns.

The material is printed during the banding process, minimizing cycle time.



In-line printing features (i.e. price) can be consistently located on pre-printed bands by using the print mark registration feature.

**1-800-843-5667**

8306 W. Parkland Court • Milwaukee, Wisconsin, 53223 • Tel. 414-355-7747 • Fax 414-355-7559

www.felins.com • sales@felins.com