

AUTOMATIC TRAY BANDER (ATB)

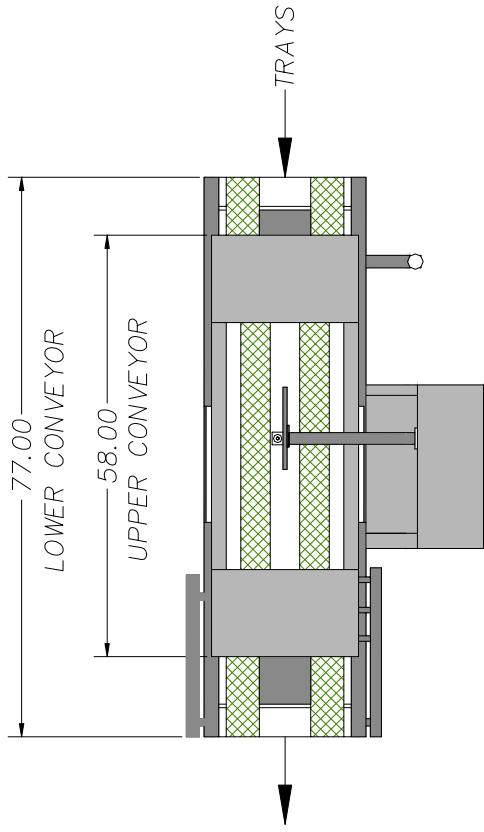
U.S. POSTAL SERVICE APPROVED TRAY BANDING SYSTEM



For heavy use and fully automated operations you should consider the Automated Tray Bander (ATB). This rugged machine can be easily placed into any tray transport system or used to band trays faster and more efficiently as part of a stand alone system. Designed for use in high volume facilities requiring the banding of thousands of mail trays per day. The Felins ATB inline banding system will reduce your time and labor cost compared to other banding or strapping methods. The ATB uses the low cost 7500 PE banding material to further reduce your daily operating costs.

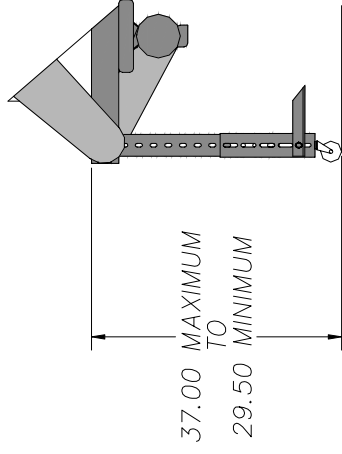
*Call us today for more information, prices and a demo
of the most cost effective system for banding postal trays.*

1-800-336-3220

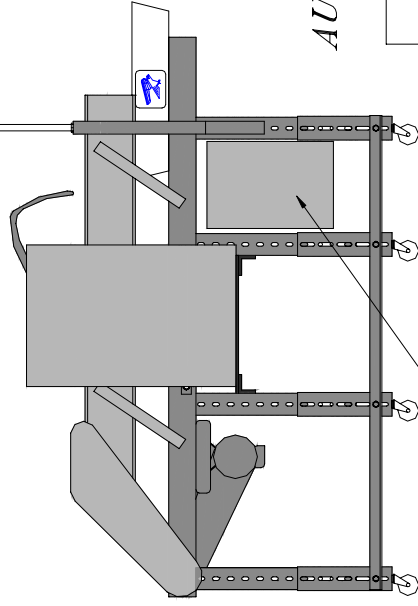
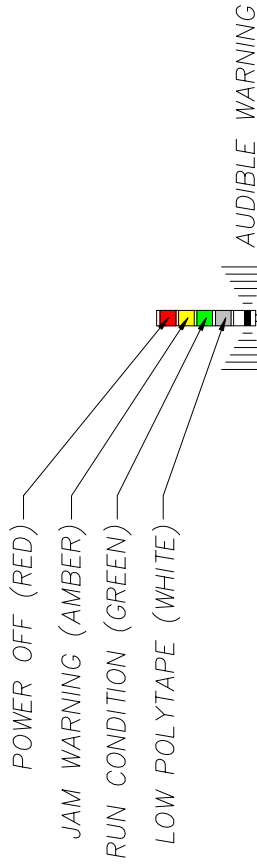


TOP VIEW

72.00"
TO
77.25"

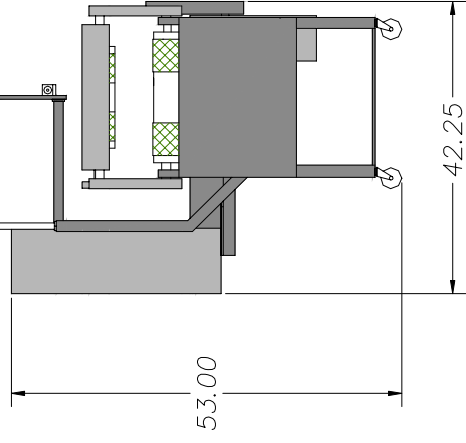


HEIGHT ADJUSTMENT



ELECTRICAL PANEL

REAR VIEW



LEFT VIEW
(INFEED)

FELINS
AUTOMATIC TRAY BANDER (ATB)

PERFORMANCE SPECIFICATIONS	
PRODUCTION RATE	25-30 TRAYS/MINUTE
CYCLE TIME	appx., 1.5 SEC.
BELT SPEED	180 FEET/MIN.