

## **PAK-TYER 2000**

The Pak-Tyer 2000 is a state-of-the-art, direct drive system, water-resistant and impervious to dirt and contamination. The direct drive design eliminates the typical wear points of conventional tyers – belt & gear wear.

The Pak-Tyer 2000 is built to last through years of heavy use, and with minimum maintenance and maximum performance. Need to switch tying materials? Our Series 2000 tyers have a built-in twine holder and easy-to-thread twine delivery arm. No need for different attachments when changing tying material, our Pak-Tyers handle 3 to 24 ply cotton twine and virtually all synthetics – twisted co-poly, elastomer, and polytape.



### **QUICK**

Looking for increased productivity? The Series 2000 is 10 times faster than hand tying, the Pak-Tyer can make 40-50 single ties or 20-25 cross ties per minute. Imagine! Tying up to 3000 bundles of towels or linens per hour.

### **VERSATILE**

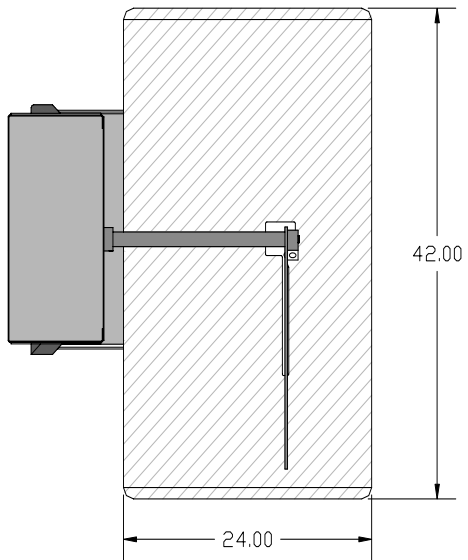
The Series 2000 has your choice of trip mechanisms: foot control or ultra light automatic, at no up charge. That leaves your hands free to load, feed, and control your bundle.

We've made it simple. Just pass the bundle through, trip to activate the cycle, and the twine is automatically cut and tied. You can easily – without tools – adjust the tension to exactly what you need in a wide range from tight to loose.

We offer the Series 2000 in six size models, so you can choose the right machine for your needs. Pick your model by the maximum height of your bundles – that's the only limiting dimension. Larger models automatically adjust to tie smaller packages.

*For more information and pricing, contact Felins Incorporated at*

**1-800-336-3220**



**FELINS**  
*FREE STANDING  
LAUNDRY TYERS*

