

TANDEM TYER

DOUBLE YOUR EFFICIENCY with the Felins Tandem Tyer 2000. This specially designed 2000 series machine will help you do double the amount of work in only half the amount of time. With six sizes of machines available you can let the Tandem Tyer 2000 work twice as hard for you on almost any job.



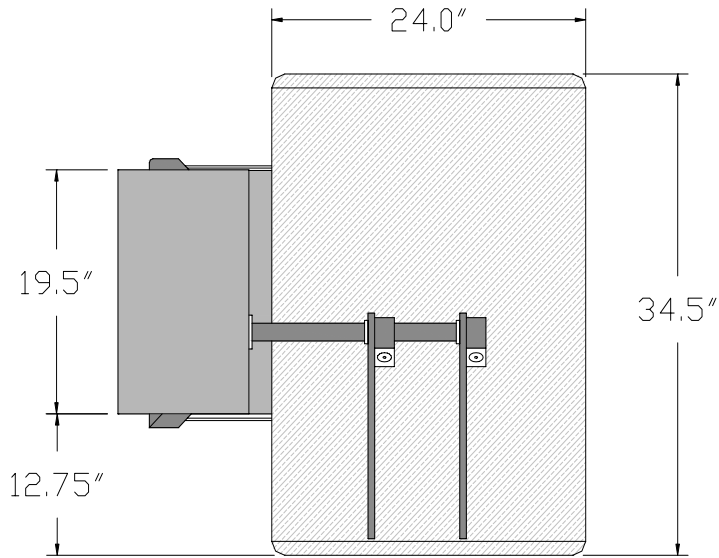
REDUCED LABOR. You'll be amazed at the labor savings that Felins new Tandem Tyer will give your production area. Now you can tie extra large bundles with two ties of poly tape or twine with a single stroke of the machine. The Tandem Tyer is ideal for tying rugs, large garment parts, belts, industrial goods and lots of other oversized items. No longer will you have to tie large parts first on one end and then turn them around to make the next tie. One pass through does it all. It cuts your tying time in half for more productivity.

CUSTOM APPLICATIONS. Felins Tandem Tyers are built to your specifications. With product height options ranging from 6" to 16" and tying heads spaced 6 1/2" to 10" apart ... these machines can provide great versatility and efficiency.

AVAILABILITY. You can order your Tandem Tyer in a free standing model or have it built into Felins ATS (Automatic Tying Station) for even greater production. Tandem Tyers include Felins new electronic direct drive system which features a computer controlled tying cycle for greater reliability than ever before. Plus, Felins proven flow through system allows faster tying speeds than competitive round tyers.

For more information and pricing, contact Felins Incorporated at

1-800-336-3220



FELINS
TANDEM TYERS

